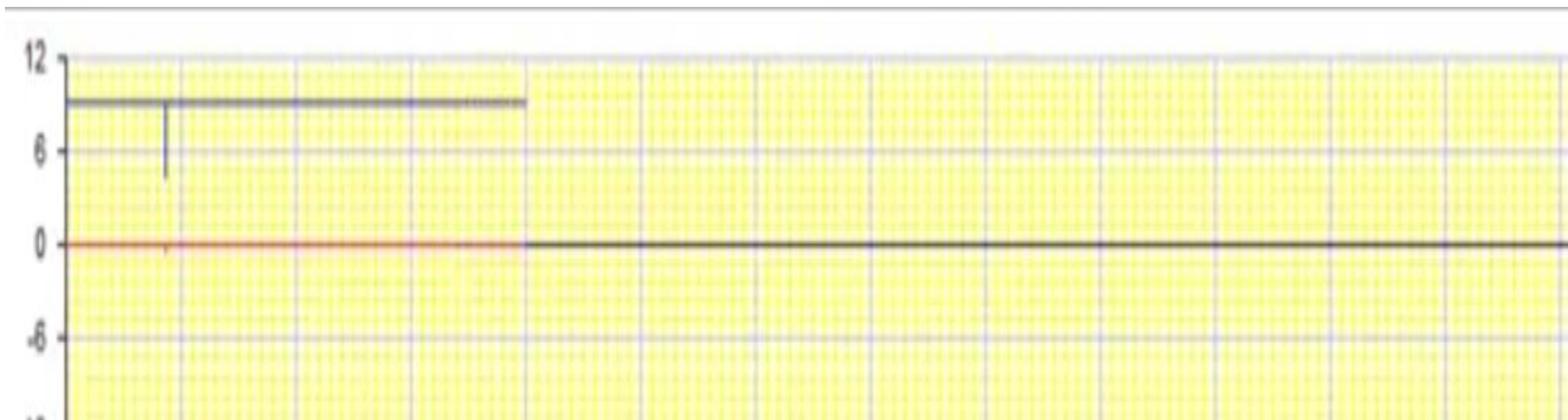
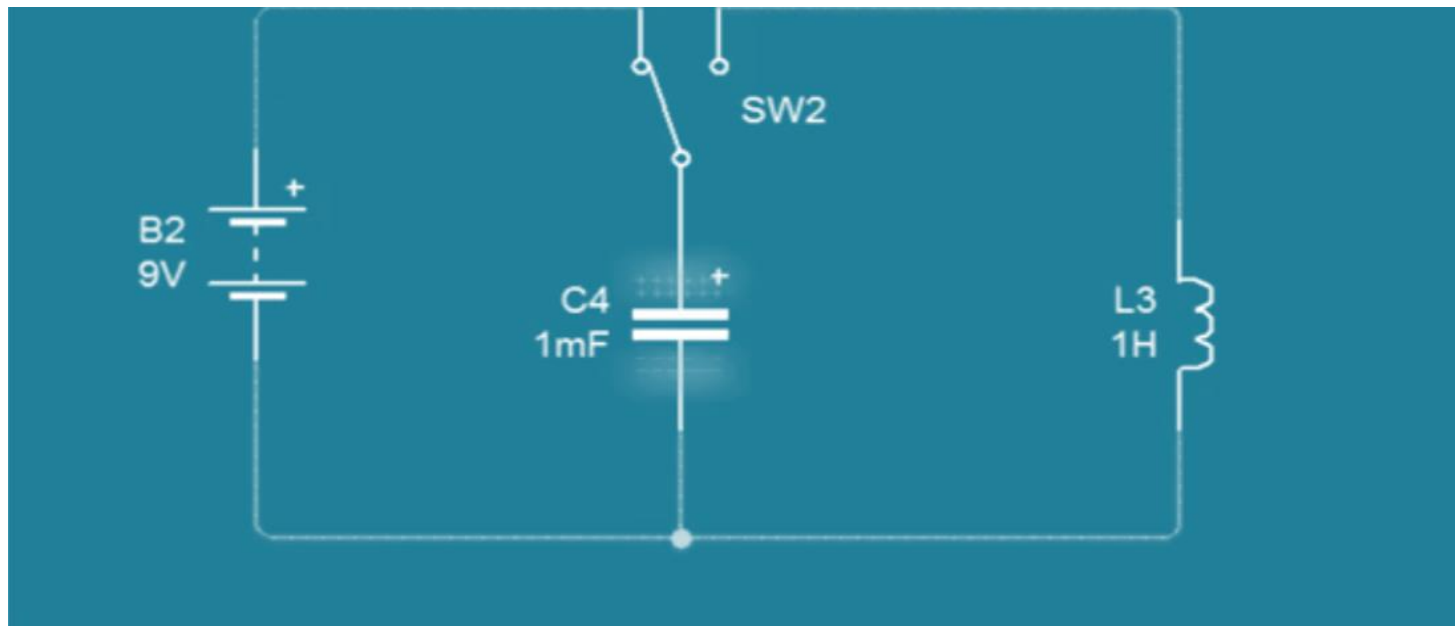
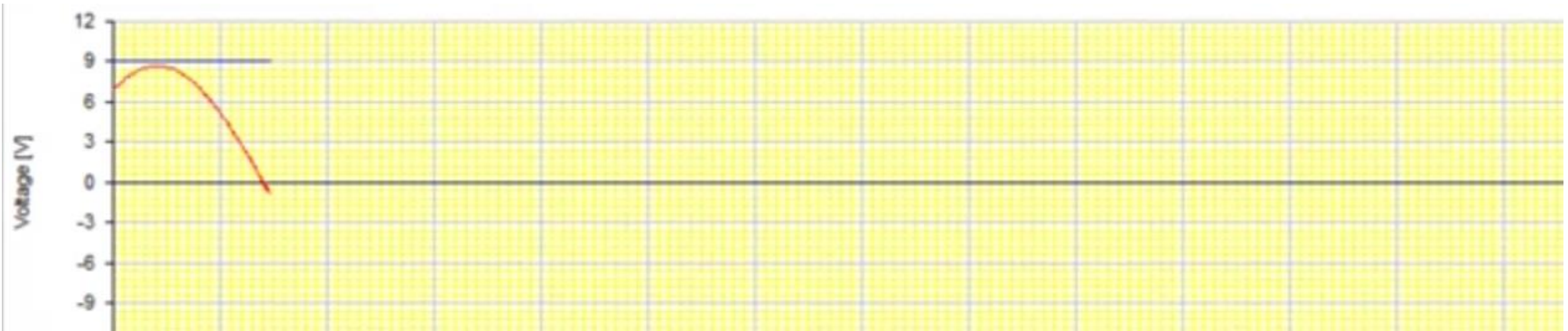
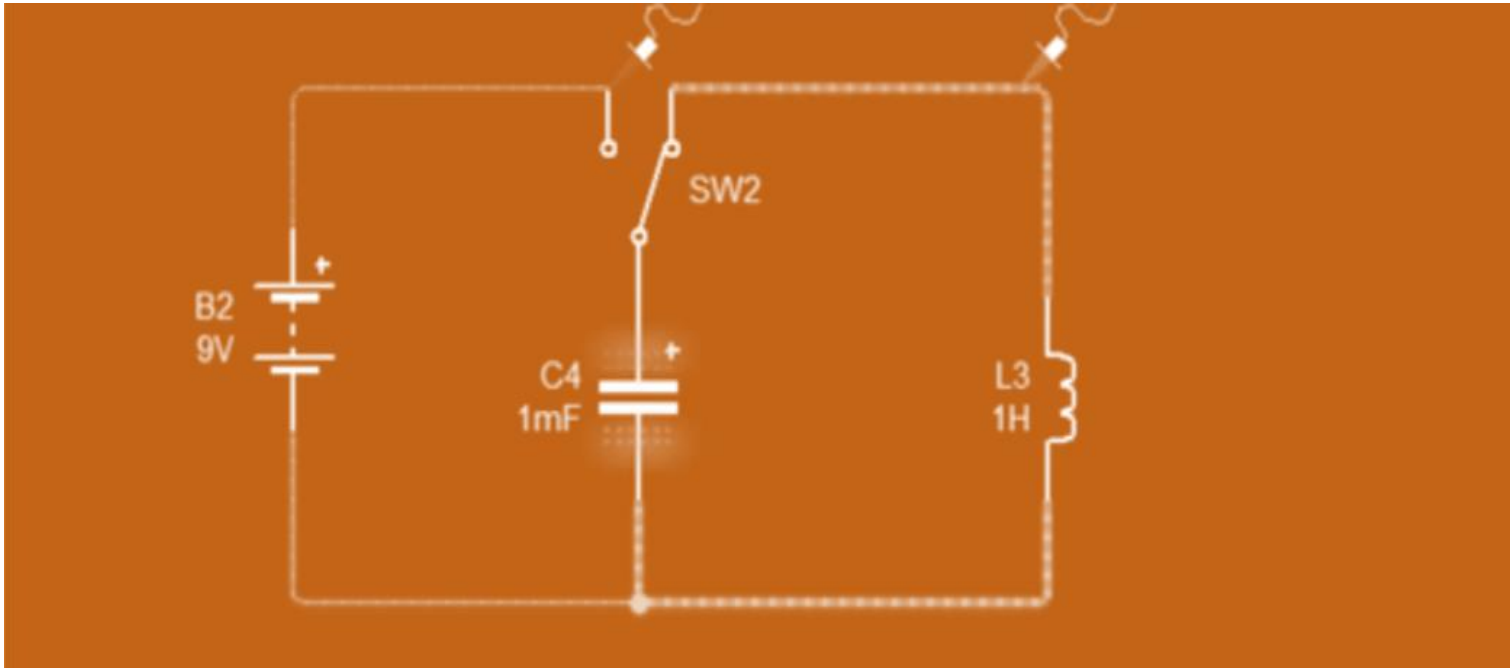


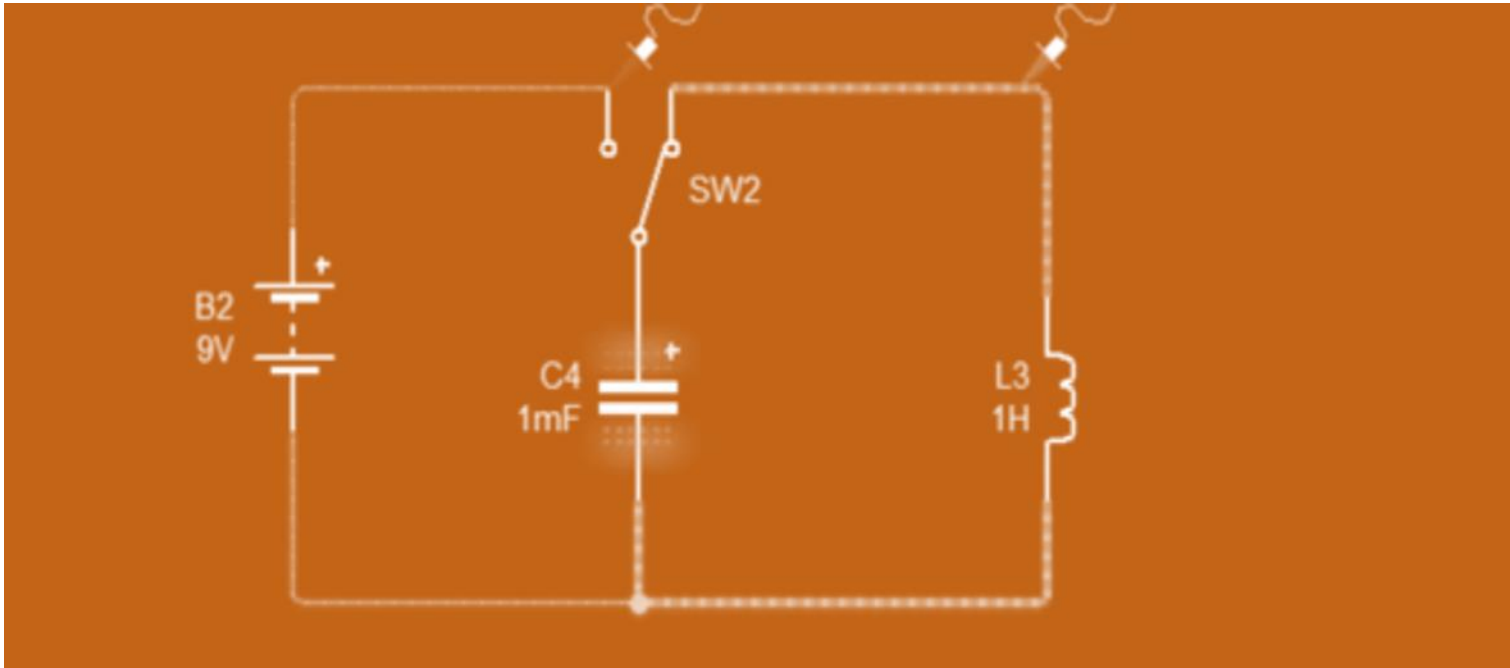
# *Hartley oscillator*

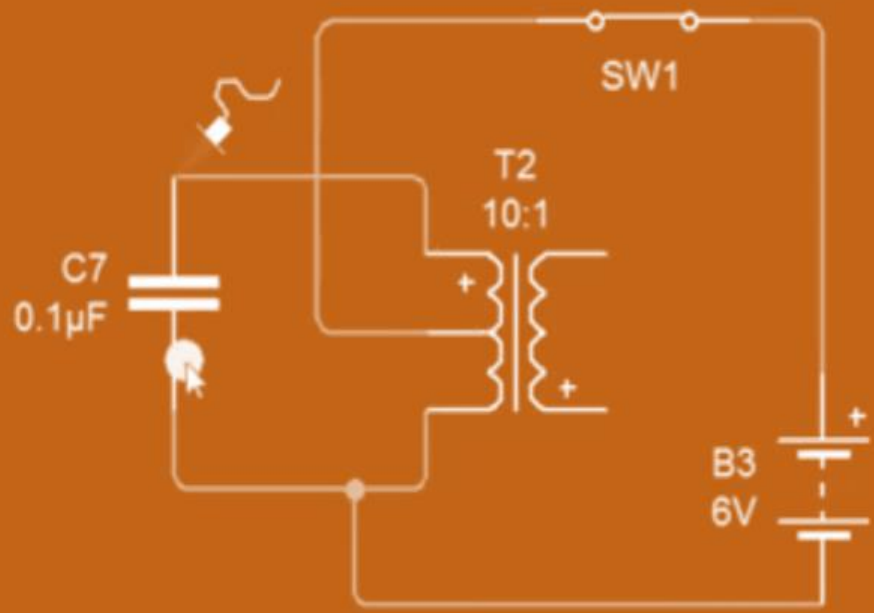
---

The **Hartley oscillator** is an **electronic oscillator circuit** in which the oscillation frequency is determined by a **tuned circuit** consisting of **capacitors** and **inductors**, that is, an LC oscillator. The circuit was invented in 1915 by American engineer **Ralph Hartley**. The distinguishing feature of the Hartley oscillator is that the tuned circuit consists of a single capacitor in parallel with two inductors in series (or a single tapped inductor), and the **feedback** signal needed for oscillation is taken from the center connection of the two inductors.









Circuit Diagram / PCB Layout / Bill of Materials /

